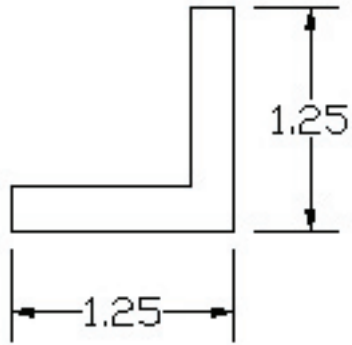


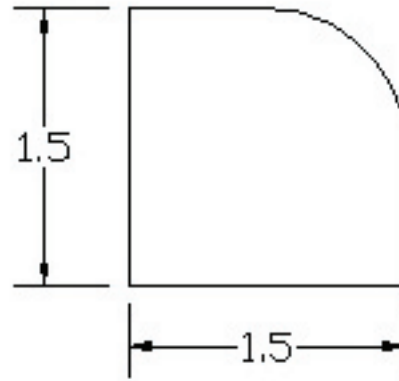
# Ferche Archived Moulding Patterns

Available with no knife charge

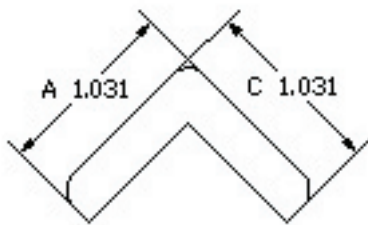
## Corner Moulding



124522



128659



a2051